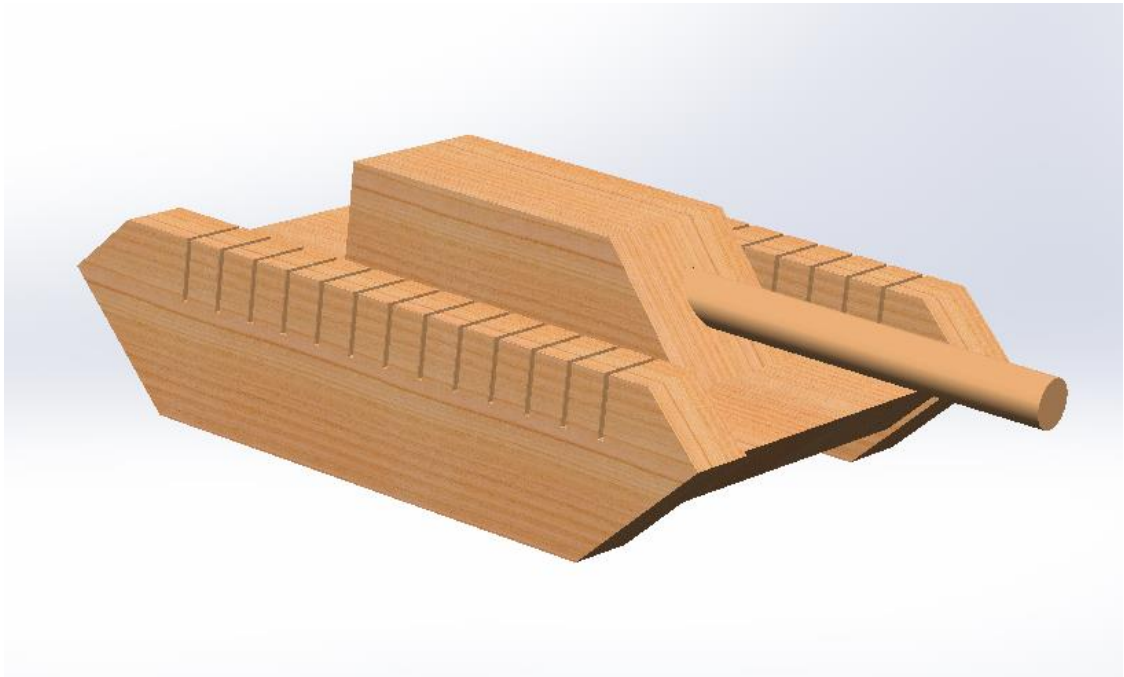


# Tank Project...



Name: \_\_\_\_\_



# PROJECT SAFETY SHEET

**Name:**

**Class:**

**Labelled Freehand Sketch of the tool:**



- 
- **Intended use of tool?**
  
  - **Hazards presented by this tool?**
  
  - **Control Measures and best practices when using this tool?**
  
  - **Care and Maintenance of this tool?**

Teacher Signature....

\_\_\_\_\_

# Self Evaluation...

Are you happy with your final project? \_\_\_\_\_

If so why? If not why? (Minimum 3 Points)

- \_\_\_\_\_
- \_\_\_\_\_
- \_\_\_\_\_

If you had to do this project again, what area do you think you could improve?

---

---

---

What are the main Health & Safety issues linked with this project?

---

---

---

Why is it important to work safely?

---

---

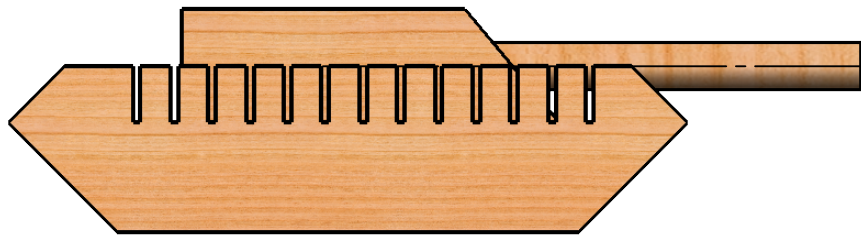
---

Why is it important to take good care of our tools/equipment?

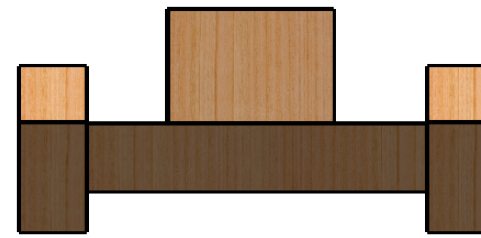
---

---

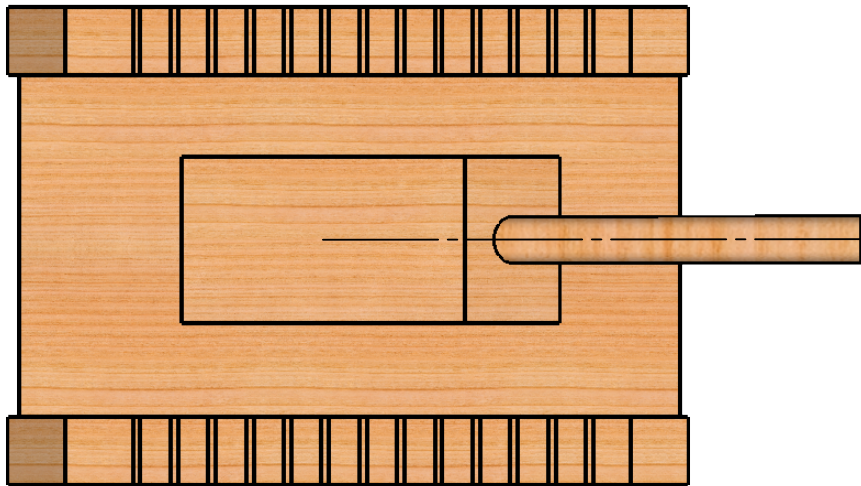
---



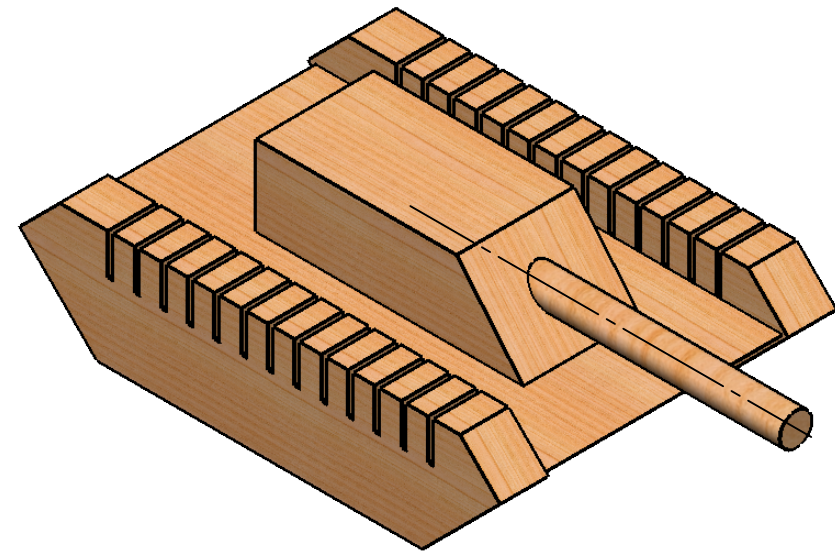
Elevation



End Elevation



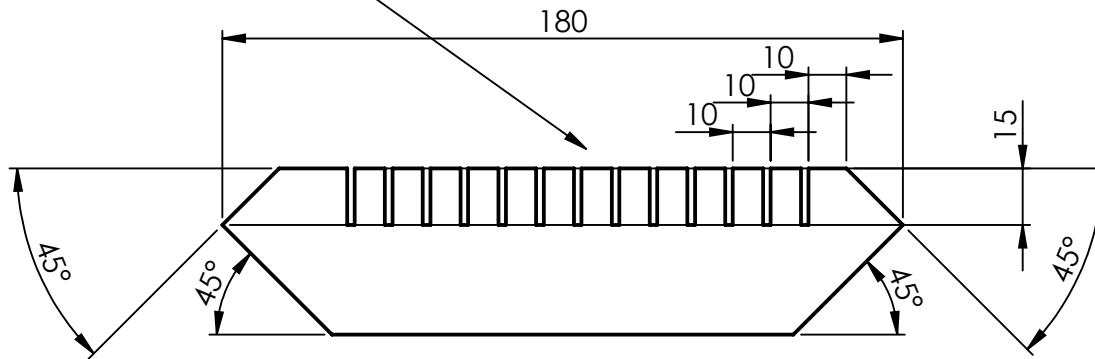
Plan



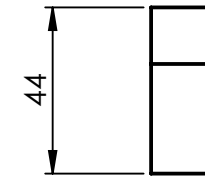
Tank Tracks and Base to be joined by Biscuit Joints...

SIZE A4	 UNIVERSITY of LIMERICK UNIVERSITÉ DE LIMERICK
Title:	Tank Assembly

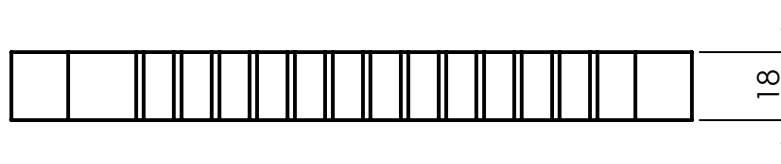
Trenches stepped off at 10mm Spacings



Elevation

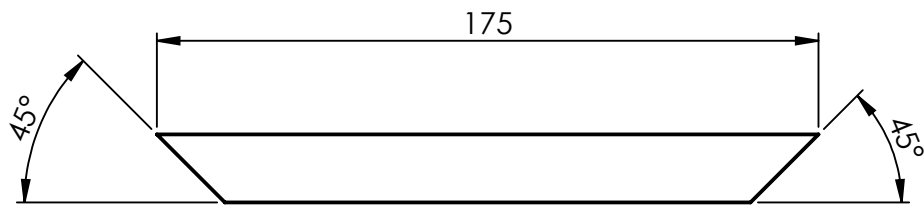


End Elevation

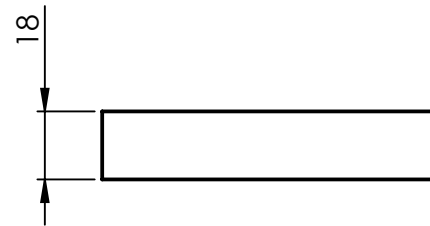


Plan

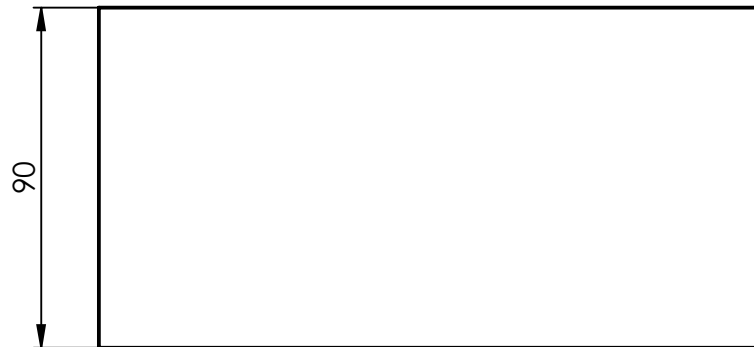
Tank Track (x2)  
Left & Right...



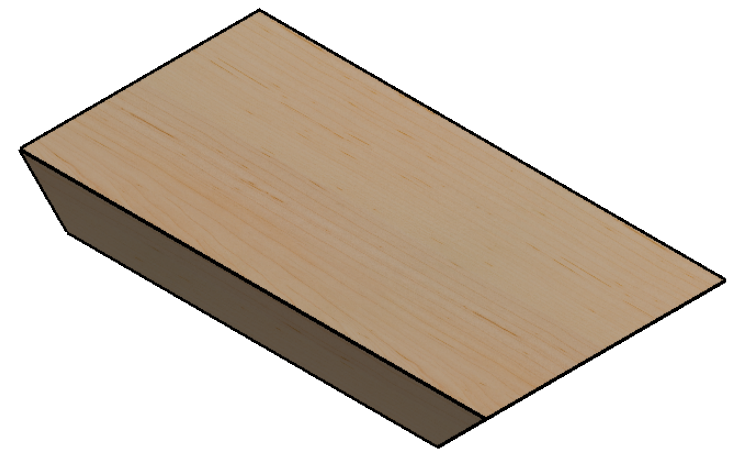
Elevation

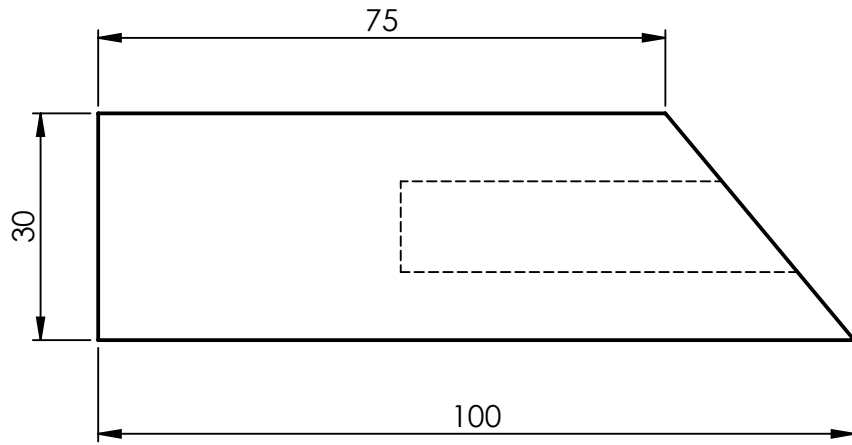


End Elevation

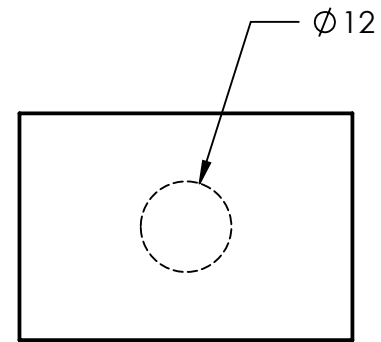


Plan

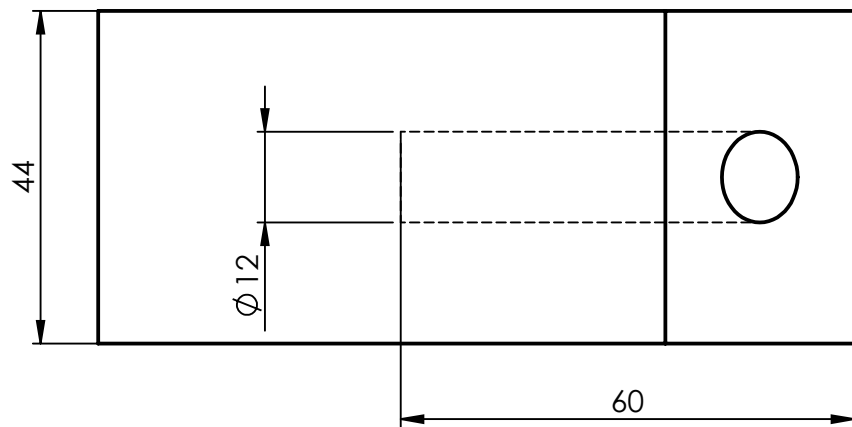




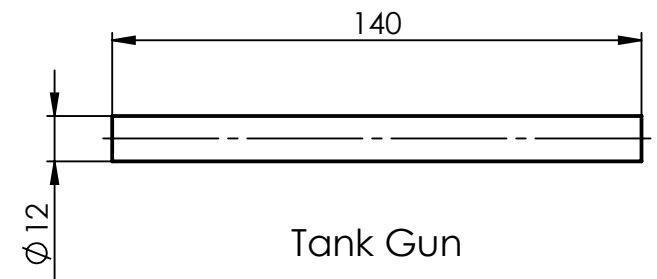
Elevation



End Elevation



Plan



Tank Gun

Hole for Tank Gun to be drilled out before angled cut...

SIZE A4	 UNIVERSITY of LIMERICK UNIVERSITÉ DE LIMERICK
Title:	Tank Turret and Tank Gun