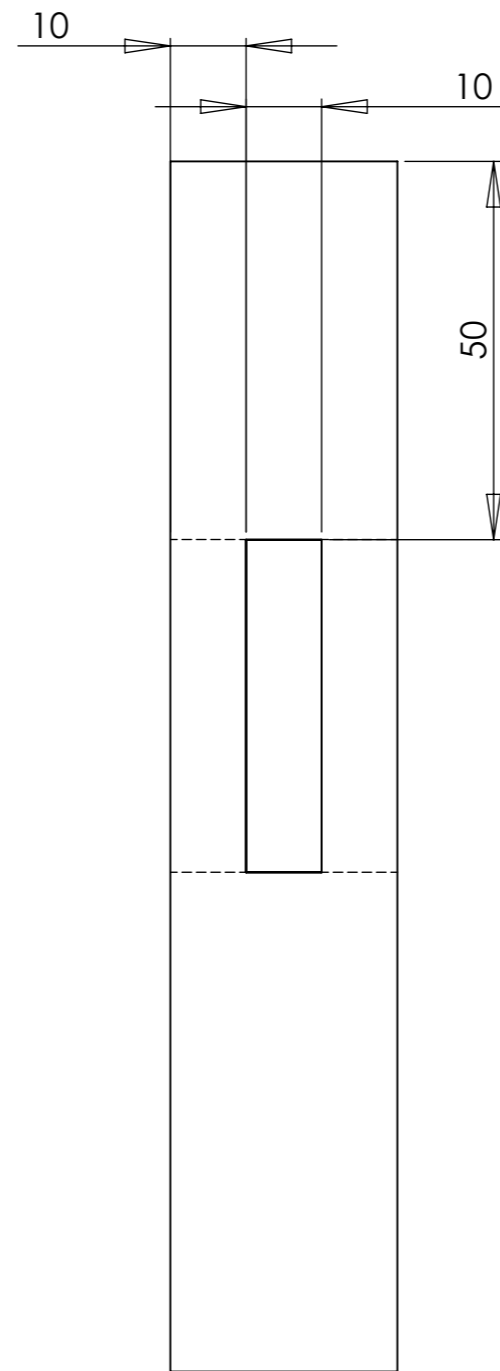
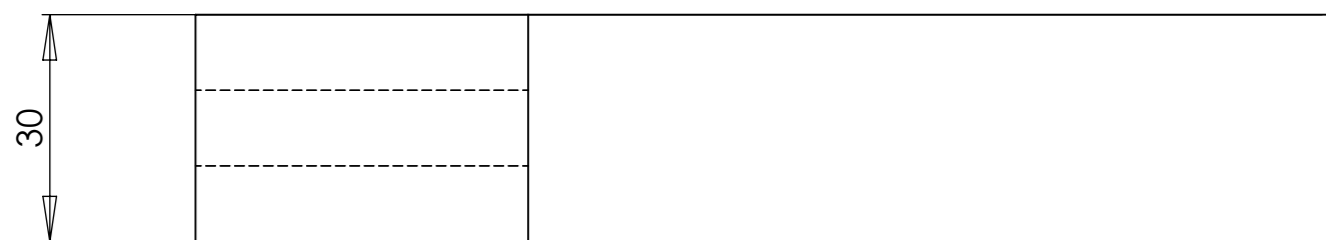
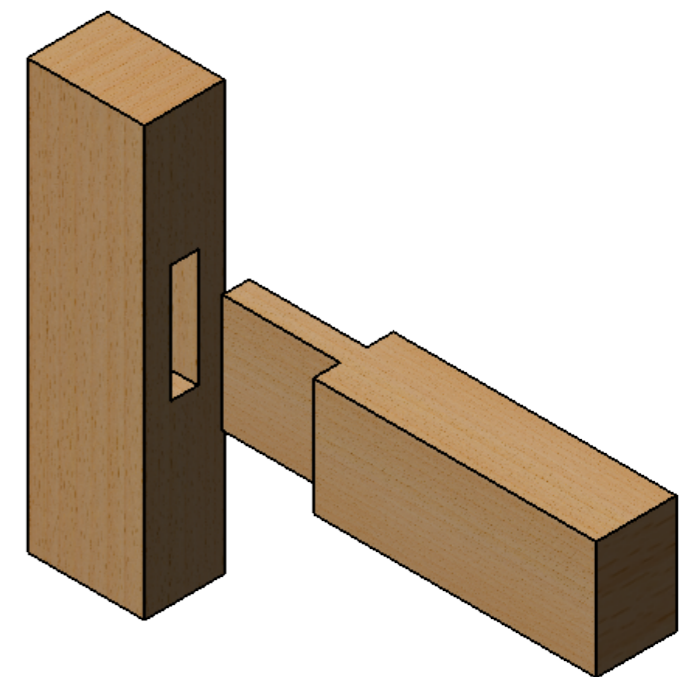
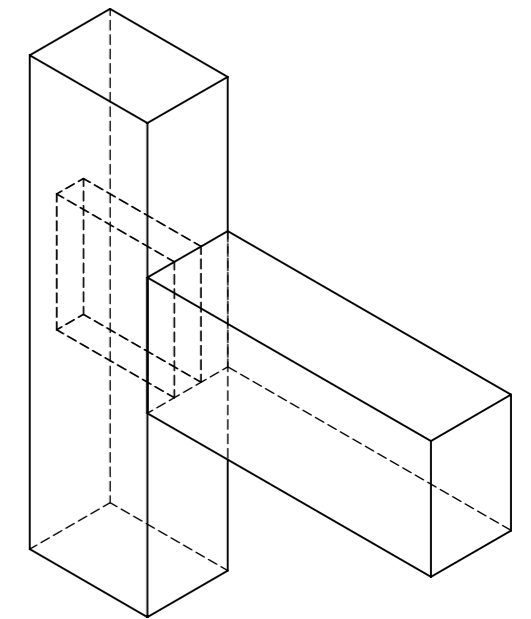


Elevation



End Elevation



Plan