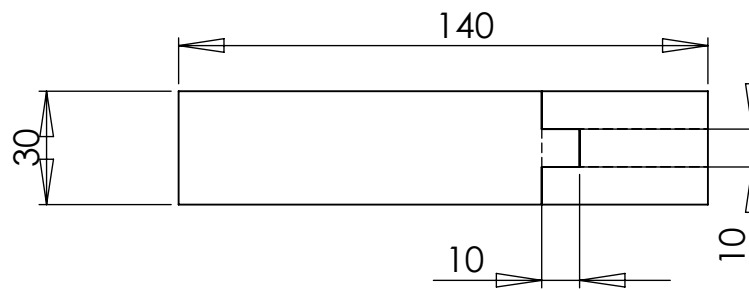
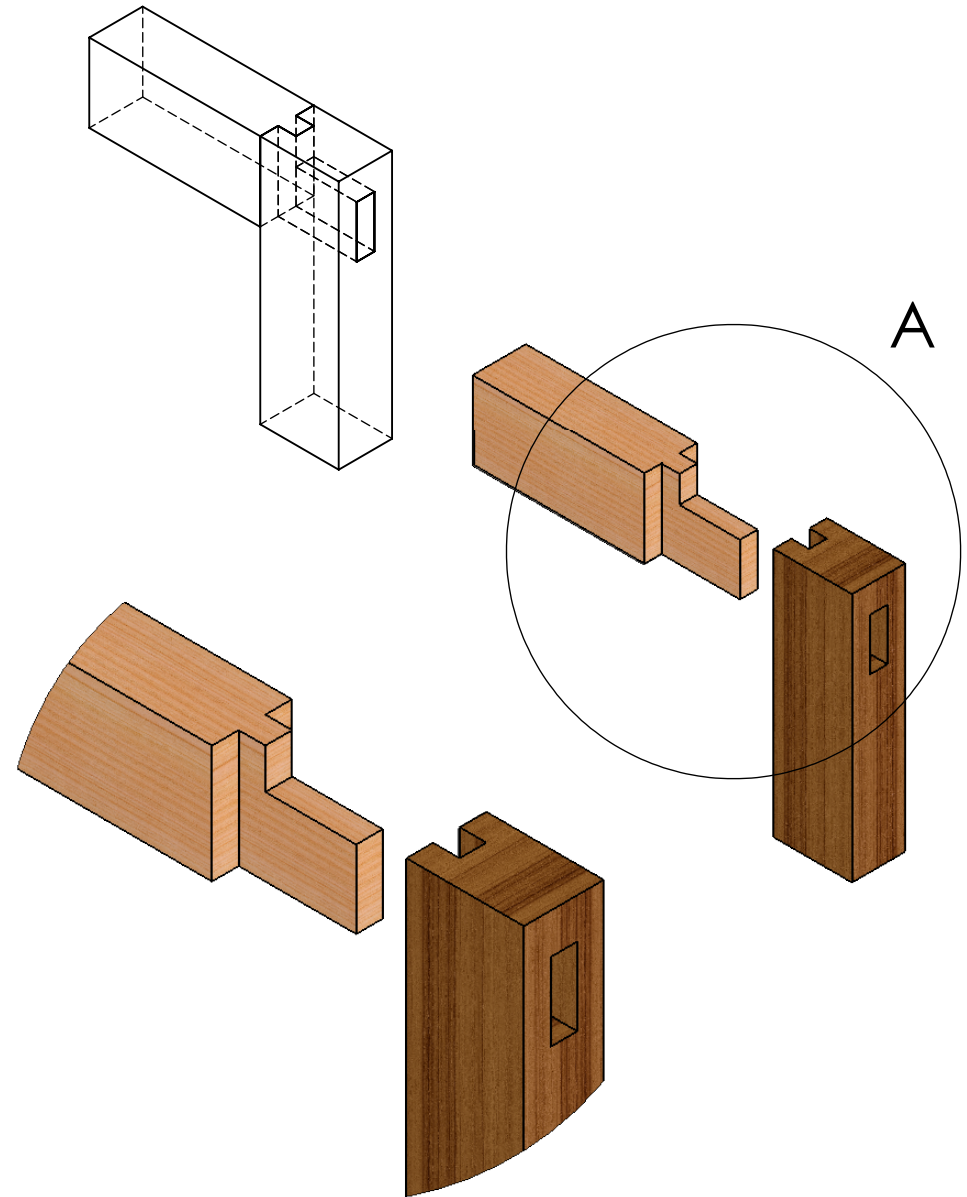


END  
ELEVATION

ELEVATION



PLAN



DETAIL A  
SCALE 1:2

HAUNCHED  
MORTISE & TENON