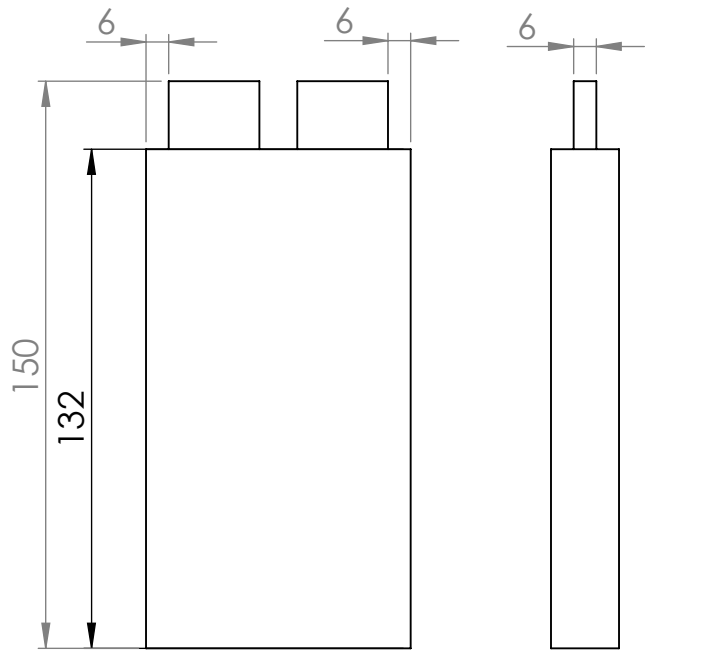
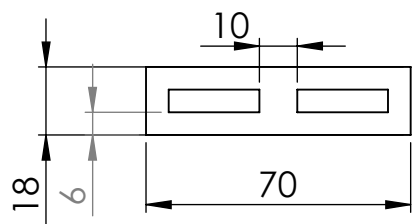


1.

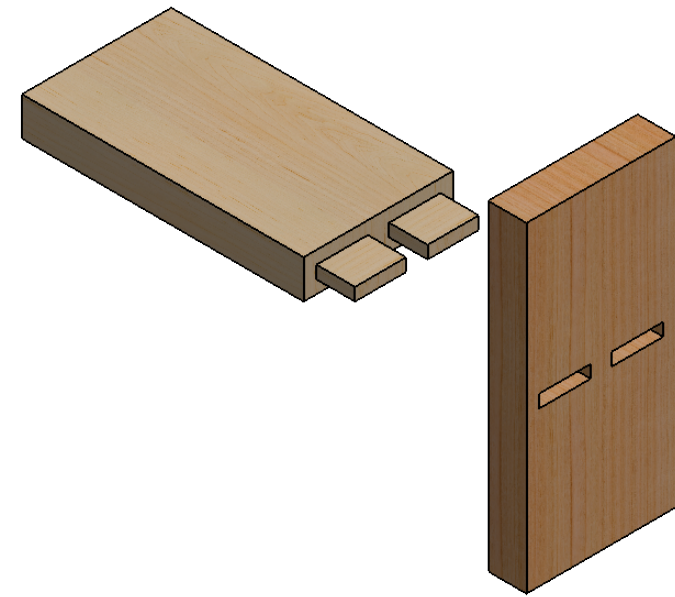


ELEVATION

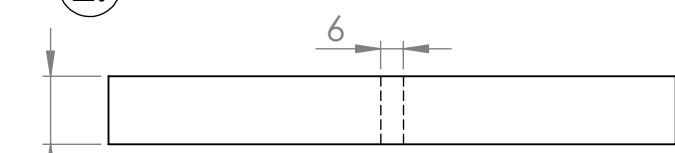
END ELEVATION



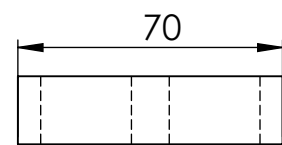
PLAN



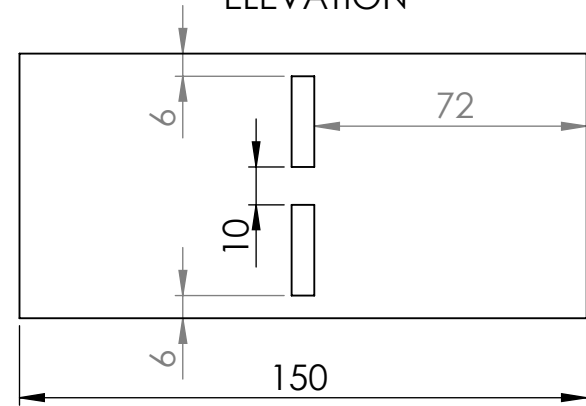
2.



ELEVATION



END ELEVATION



PLAN

Double Mortise & Tenon Joint