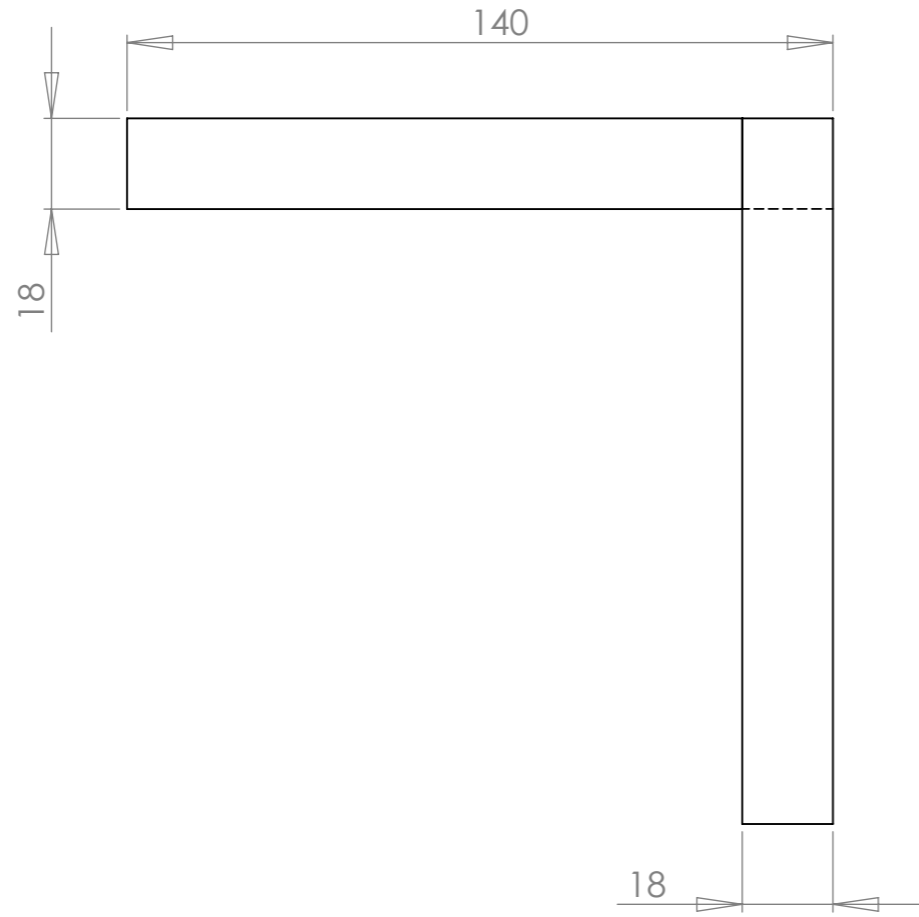
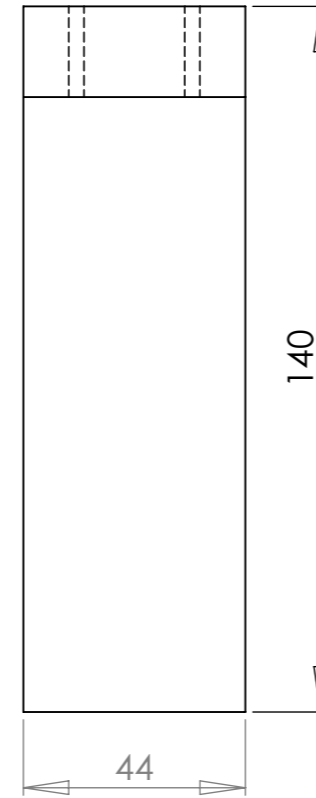


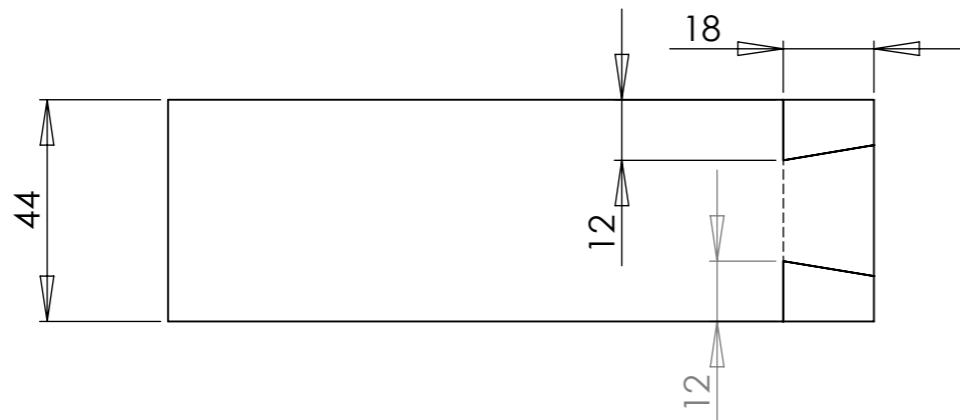
END VIEW



ELEVATION



END VIEW



PLAN

**N.B.**  
 Slope \_ 1:6 Softwood  
 Slope \_ 1:8 Hardwood